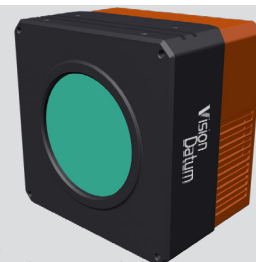




LEO 8K Line Scan Cameras



- 101MP @8.1fps
- TEC cooling optional
- Support Windows
- Supports configuration modes of Base, Medium, Full and 80-bit via the CameraLink interface
- Compatible with CameraLink V2.0 Vision Protocol, GenICam Standard, and the third-party software based on these protocol and standard.

**Applied range** • Defect Detection • Surface Patch Detection • Visual Positioning • Size Measuring • QR Code Reading • VR/AR • Logistics

Camera	LEO 100MS-8cm	LEO 100MS-8cc	LEO 100MSC-8cm	LEO 100MSC-8cc
Resolution [H*V]	11520 × 8740			
Sensor	Sony IM461			
Sensor Size	55 mm			
Sensor Type	CMOS, Rolling			
Pixel Size [μm]	3.76 × 3.76			
Frame Rate [fps]	8.1			
Taps	2/4/8/10 Taps			
Pixel Clock	40 MHz , 60 MHz , 70 MHz , 85 MHz			
Exposure Time	14μs~10s			
Dynamic Range	78dB			
Mono/Color	Mono	Color	Mono	Color
Image Format	ADC 12bit mode: Mono 8/10/12; ADC 16bit mode: Mono 8/10/12/16	ADC 12bit mode: Bayer RG 8/10/12 ADC 16bit mode: Bayer RG 8/10/12/16	ADC 12bit mode: Mono 8/10/12; ADC 16bit mode: Mono 8/10/12/16	ADC 12bit mode: Bayer RG 8/10/12 ADC 16bit mode: Bayer RG 8/10/12/16
Interface	Camera Link (SDR)			
Synchronization	Via hardware trigger、 software trigger or free run mode			
Housing Size [l*w*h]	90 × 90 × 71.5 mm (790g)(a)		100 × 100 × 87.2 mm (1700g)(b)	
Operating Temperature	-30~80 ° C ( Storage ), 0~50° C ( Working )			
Lenses Mount	M72+0.75, BFL 19.55 mm			
Digital I/O	Opto-isolated input x 1, opto-isolated output x 1, bi-directional custom non-isolated I/O x 1, and RS232 x 1, Camera Link provides IO			
Power Input	DC 12-24V	DC 12-24V	DC 24V	DC 24V
Power Consumption	24V @14W	24V @11.2W	TEC Uncooled: 24V @14W TEC Cooling: 24V @48W	TEC Uncooled: 24V @12.5W TEC Cooling: 24V @49.7W
Driver	iDatum or Frame Grabber software meeting with CameraLink Protocol			
Operating System	Windows			
Conformity	Camera Link Vision, GenICam			

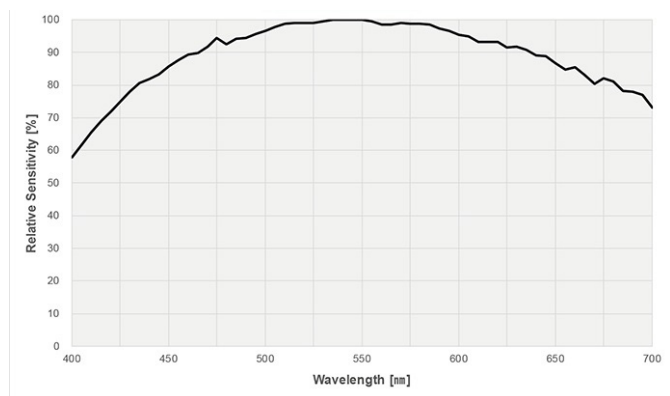


No.8, Xiyuan 9th Road West Lake District, Hangzhou 310030 China  
Tel: 86-571-86888309, 86-571-86888307  
Web: [www.visiondatum.com](http://www.visiondatum.com) Email: [market@visiondatum.com](mailto:market@visiondatum.com)

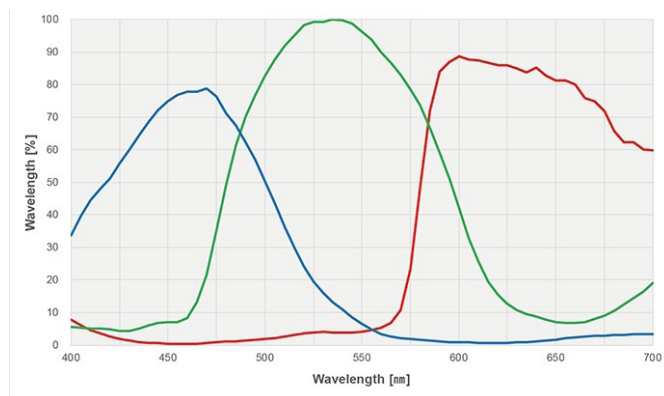


### Spectral Response

#### Monochrome

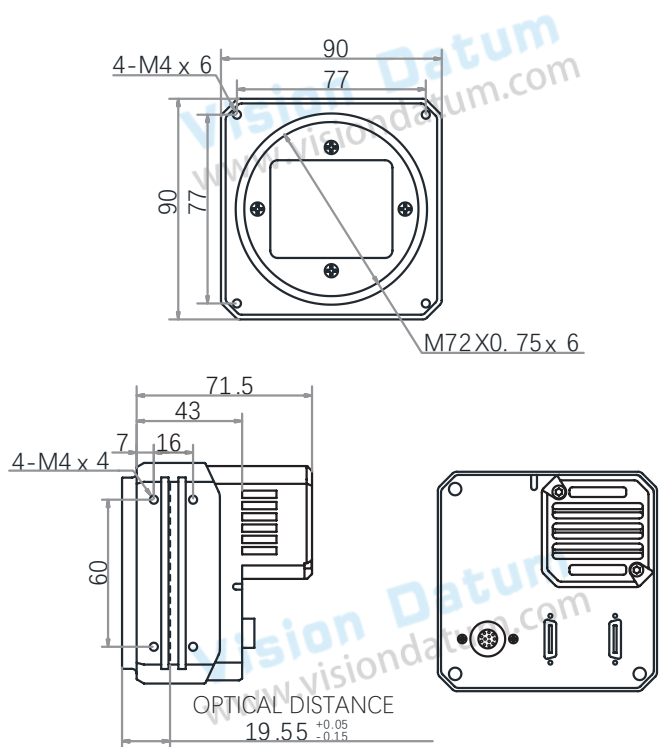


#### Color



### Dimensions

a



b

