



LEO 21MG-220xm/xc

- 21MP resolution @222 fps
- Adopts CXP-12 interface to transmit data
- Global shutter CMOS, high dynamic range, good signal-to-noise ratio, excellent image quality
- Compatible with CoaXPRESS Protocol, GenICam Standard, and the third-party software based on these protocol and standard
- Support Windows



Applied range • Defect Detection • Surface Patch Detection • Visual Positioning • Size Measuring • QR Code Reading • VR/AR • Logistics

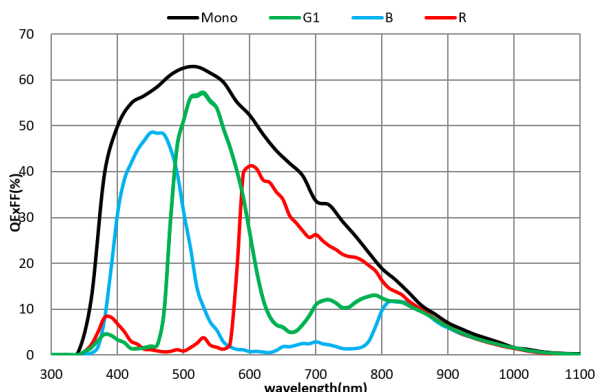
Camera	LEO 21MG-220xm-M58		LEO 21MG-220xc-M58	
Resolution [H*V]	5120 × 4096			
Sensor	Gpixel Gsprint4521			
Sensor Size	23.04 mm × 18.43 mm			
Sensor Technology	CMOS, Global			
Pixel Size [μm]	4.5 × 4.5			
Frame Rate [fps]	222			
Exposure Time	4μs~10s			
Dynamic Range	63dB			
Mono/Color	Mono		Color	
Image Format	Mono8/10/12		Bayer GB 8/10/12	
Interface	CoaXPRESS (Micro-BNC) CXP12			
Synchronization	Via hardware trigger、software trigger or free run mode			
Housing Size	84 × 84 × 62.5mm (650g)(A)		84 × 84 × 75 mm (790g)(B)With Fan	
Operating Temperature	-30~70 ° C (Storage), 0~50° C (Working)			
Lenses Mount	M58*0.75, BFL 11.48 mm			
Digital I/O	Opto-isolated input x 1, opto-isolated output x 1, and bi-directional custom non-isolated I/O x 1, RS232 x 1			
Power Input	DC 12-24V, CXP-1/2 supports PoCXP			
Power Consumption	24V @18W	24V @16.3W	24V @18.7W	
Driver	iDatum or Frame Grabber Software Compliant With CoaXPRESS Protocol			
Operating System	Windows			
Conformity	CoaXPRESS, GenICam			



No.8, Xiyuan 9th Road West Lake District, Hangzhou 310030 China
 Tel: 86-571-86888309, 86-571-86888307
 Web: www.visiondatum.com Email: market@visiondatum.com

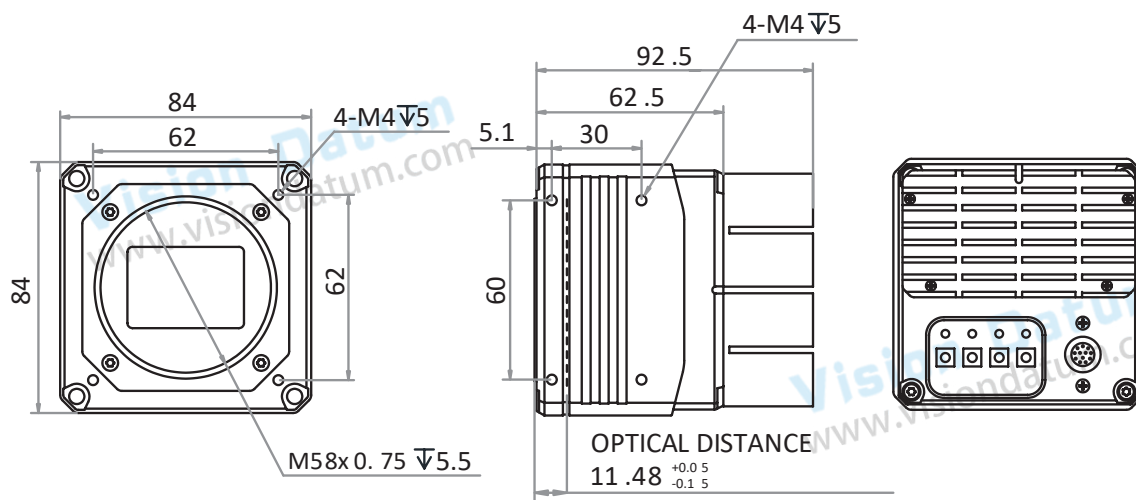


Spectral Response



Dimensions

A



B

