

DM-J130P-MxxAF-SWST

- 1.3MP @Max. reading speed 84 codes/sec
- Adopts 14 LEDs White light, built-in LED aiming
- Built-in deep learning algorithm
- Supports mechanical autofocus
- IP67 protection



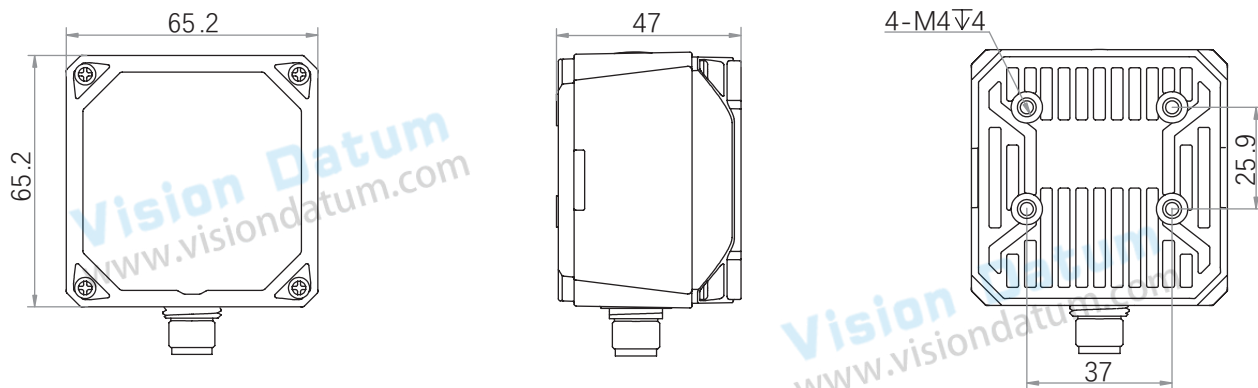
Applied range • 3C • Lithium • Tobacco • Pharmaceutical • Photovoltaic • automobile, etc.

Symbologies	<ul style="list-style-type: none"> • 1-dimensional codes: Code 39, Code 93, Code 128, ITF 14, ITF 25, CodaBar, EAN, UPCA, UPCE • 2-dimensional codes: QR Code, Data Matrix • Stack codes: PDF 417
Communication protocol	SmartSDK, TCP Client, Serial, FTP, TCP Server, Melsec, Modbus, FINS, SLMP

Model	DM-J130P-MxxAF-SWST **		
Resolution	1280 × 1024		
Max. frame rate[fps]	60		
Max. reading speed	84 codes/sec		
Sensor type	CMOS, Global Shutter		
Pixel size [μm]	4 × 4		
Sensor size	1/2.7"		
Exposure time	35μs~1s		
Gain	0 ~ 15 dB		
Mono/color	Mono		
Data interface	Fast Ethernet (100Mbit/s)		
Focal length **	6 mm	12 mm	14.8 mm
Lens mount	M12-Mount,mechanical autofocus supported.		
Working distance	20 ~ 600 mm		
Light source	White LED		
Digital I/O	Device trigger via pressing button on top supported.		
	17-pin M12 connector provides power and I/O:non-isolated input× 3, non-isolated output × 3, RS-232 × 1.		
Power Input	24V		
Power Consumption	24V @20W		
Housing Size	65.2 mm × 65.2 mm × 47 mm (280g)		
Operating Temperature	-30~70 ° C (Storage), 0~50° C (Working)		
Driver	DM-Datum		

**x is a different focal length for the lens factory selectable.

Dimensions:



Detection Range

Lens Focal Length	Working Distance (mm)	FoV (mm)		1D Single Pixel Accuracy	2D Single Pixel Accuracy
		H	V		
6	20	17.1	13.7	0.013	0.04
	100	85.3	68.3	0.067	0.2
	200	170.7	136.5	0.133	0.4
	300	256	204.8	0.2	0.6
	400	341.3	273.1	0.267	0.8
	500	426.7	341.3	0.333	1
12	60	25.6	20.5	0.02	0.06
	100	42.7	34.1	0.033	0.1
	200	85.3	68.3	0.067	0.2
	300	128	102.4	0.1	0.3
	400	170.7	136.5	0.133	0.4
	500	213.3	170.7	0.167	0.5
14.8	600	256	207.8	0.2	0.6
	88	30.4	24.4	0.024	0.071
	100	34.6	27.7	0.027	0.081
	200	69.2	55.4	0.054	0.162
	300	103.8	83	0.081	0.243
	400	138.4	110.7	0.108	0.324
	500	173	138.4	0.135	0.405
	600	207.6	166.1	0.162	0.486

