

DM-Q300S-MxxSM-SWST

- 3MP @Max. reading speed 90 codes/sec
- Built-in deep learning code reading algorithm
- Support TCP, Serial, FTP, MELSEC, Fins and other communication protocols.
- Adopts mechanical autofocus lens to achieve automatic focusing.
- IP67 protection**

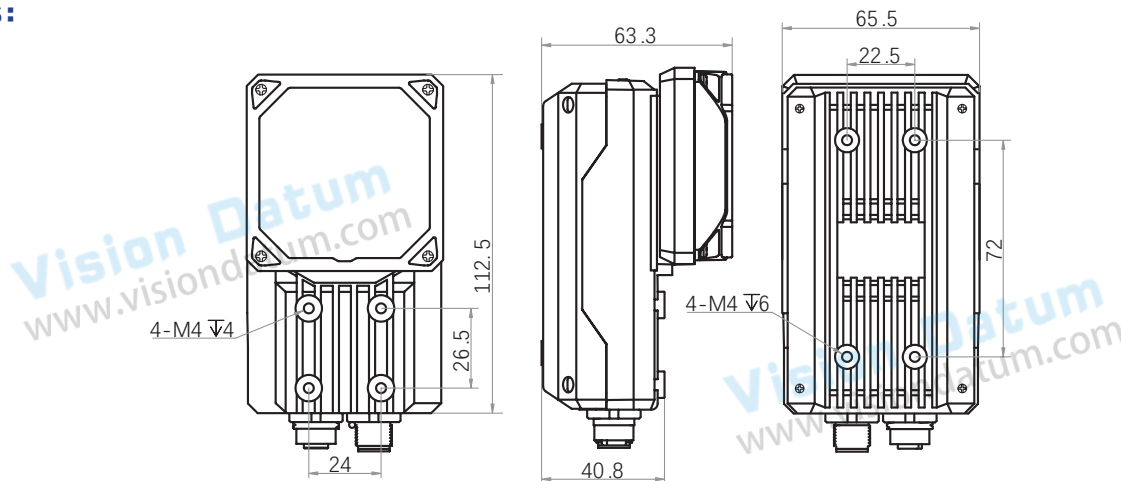
Applied range • 3C • Lithium • Tobacco • Pharmaceutical • Photovoltaic • automobile, etc.

Symbologies	<ul style="list-style-type: none"> • 1-dimensional codes: Code 39, Code 93, Code 128, CodaBar, EAN8, EAN13, UPCA, UPCE, ITF14, ITF25, Matrix 25, MSI, China Post, Code 11, Industrial 25, Pharmacode • 2-dimensional codes: QR Code, Data Matrix, MicroQR, AZTEC • Stacked codes: PDF417
Communication protocol	TCP Client, Serial, FTP, TCP Server, MELSEC, Fins, ModBus, SLMP

Model	DM-Q300S-MxxSM-SWST			
Resolution	2048 × 1536			
Max. frame rate[fps]	60			
Max. reading speed	90 codes/sec			
Sensor type	CMOS, Global Shutter			
Pixel size [μm]	2.5 × 2.5			
Sensor size	1/2"			
Exposure time	16μs~1s			
Gain	1 ~ 4 dB			
Mono/color	Mono			
Data interface	Gigabit Ethernet (1000 Mbit/s)			
Focal length	8 mm	12 mm	16 mm	25 mm
Lens mount	M12-Mount , Mechanical autofocus			
Lens Cap	Half-Polarization lens cap. Transparent/Polarization lens cap are optional.			
Light Source	White light. Red/blue/IR light is optional.			
Digital I/O	12-pin M12 connector provides power and I/O: opto-isolated input × 3, opto-isolated output × 3, RS-232 input × 1, and RS-232 output × 1			
Power Input	24V			
Power Consumption	24V @60W			
Housing Size	112.5 mm × 65.5 mm × 63.3 mm (450g)			
Operating Temperature	-30~70 ° C (Storage), 0~50° C (Working)			
Driver	DM-Datum			

**: IP67 (under proper installation of waterproof lens cap)

Dimensions:



Detection Range

Lens Focal Length	Working Distance (mm)	FoV (mm)		1D Single Pixel Accuracy	2D Single Pixel Accuracy
		H	V		
8mm	25	16	12	0.008	0.023
	100	64	48	0.031	0.094
	200	128	96	0.063	0.188
	300	192	144	0.094	0.281
	400	256	192	0.125	0.375
	500	320	240	0.156	0.469
	600	384	288	0.188	0.563
12mm	60	25.6	19.2	0.013	0.038
	100	42.67	32	0.021	0.063
	200	85.33	64	0.042	0.125
	300	128	96	0.063	0.188
	400	170.67	128	0.083	0.25
	500	213.33	160	0.104	0.313
	600	256	192	0.125	0.375
16mm	80	25.6	19.2	0.013	0.038
	100	32	24	0.016	0.047
	200	64	48	0.031	0.094
	300	96	72	0.047	0.141
	400	128	96	0.063	0.188
	500	160	120	0.078	0.234
	600	192	144	0.094	0.281
25mm	200	40.96	30.72	0.02	0.06
	300	61.44	46.08	0.03	0.09
	400	81.92	61.44	0.04	0.12
	500	102.4	76.8	0.05	0.15
	600	122.88	92.16	0.06	0.18

