

### DM-W40S-M16GF-SRST

- 0.4MP @Max. reading speed 45 codes/sec
- With red light, orange LED aiming
- Built-in deep learning algorithm
- Adopts Solid-state focus adjustment and can be triggered via the side button
- IP65 protection

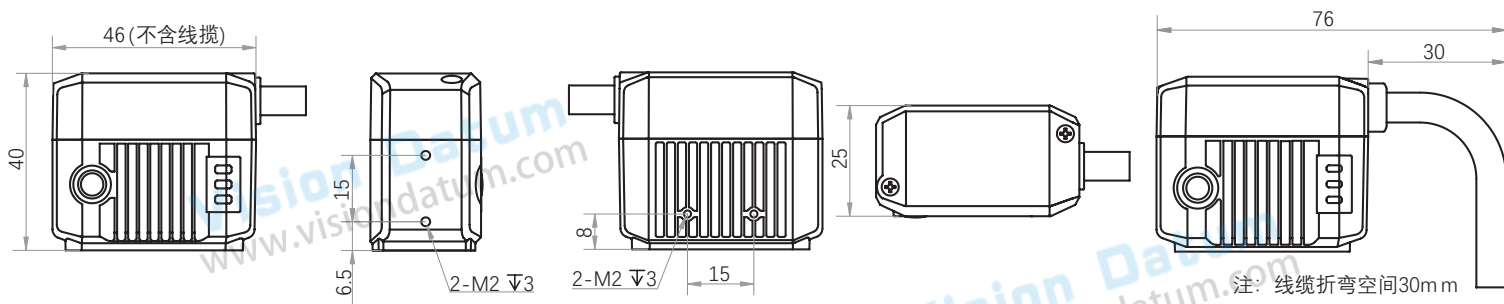
**Applied range** • 3C • Lithium • Tobacco • Pharmaceutical • Photovoltaic • automobile, etc.

Symbologies	<ul style="list-style-type: none"> <li>1-dimensional codes: Code 39, Code 93, Code 128, ITF 14, ITF 25, CodaBar, EAN, UPCA, UPCE</li> <li>2-dimensional codes: QR Code, Data Matrix</li> </ul>
Communication protocol	SmartSDK, TCP Client, Serial, FTP, TCP Server, Melsec/SLMP, Modbus, FINS, UDP

Model	DM-W40S-M16GF-SRST
Resolution	704 × 540
Max. frame rate [fps]	60
Max. reading speed	45 codes/sec
Sensor type	CMOS, Global Shutter
Pixel size [μm]	6.9 × 6.9
Sensor size	1/2.9"
Exposure time	16μs~1s
Gain	0 ~ 40 dB
Mono/color	Mono
Data interface	Fast Ethernet (100Mbit/s)
Focal length	16 mm
Lens mount	M12-Mount
Working distance	100 ~ 400 mm
Ambient illumination	0 ~ 50000 lux
Light source	Red LED
Aiming system	Orange LED
Digital I/O	Device trigger via pressing button on side supported. 17-pin M12 connector provides power and I/O, configurable bi-directional none-isolated I/O × 4, RS-232 × 1.
Power Input	12 ~ 24V
Power Consumption	12V @11W
Housing Size	46 mm × 40 mm × 25 mm (135g)
Operating Temperature	-30~70 ° C (Storage), 0~50° C ( Working )
Driver	DM-Datum

**Note:** During the operation of this product, looking directly at this product may cause harm to the eyes, and protective measures such as protective glasses should be worn during operation.

### Dimensions:



Note: During the operation of this product, looking directly at this product may cause harm to the eyes, and protective measures such as protective glasses should be worn during operation.

Vision Datum  
www.visiondatum.com

Vision Datum  
www.visiondatum.com

Vision Datum  
www.visiondatum.com

Vision Datum  
www.visiondatum.com

