

VT-SM2-1408SE-M/C **

- 1.6MP @60 fps
- Built-in high-precision positioning, measurement and identification algorithms
- Output results via RS-232 and Ethernet, and cooperate with other processes via I/O
- Optional multi-focal length lens
- Uniform brightness of illuminated areas



Applied range • Counting • Existence • Size Measuring • OCR • Logistics Industry • Food and Medical Industry

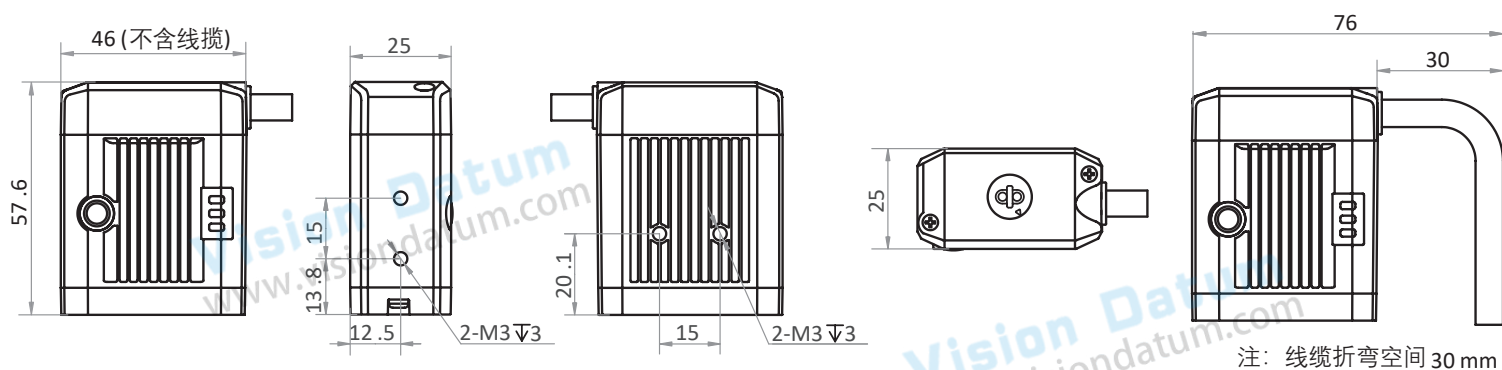
Vision Tool

- Count: Pattern count, edge count, and spot count
- Existence: Circle existence, line existence, spot existence, edge existence, and pattern existence
- Location: Fixture
- Logic tool: Condition judge, character comparison, logic judge, and calculator
- Measurement: L2L angle, diameter measurement, brightness average value, contrast measurement, width measurement, P2L measurement, greyscale size, line angle, edge width measurement, and color size (Color cameras only)
- Recognition: OCR, classification registration, and color contrast (Color cameras only)

Camera	VT-SM2-1408SE-M08/12/15 **		VT-SM2-1408SE-C08/12/15 **	
Camera	Supports solution importing and exporting, up to 8 solutions and 40 modules can be stored.			
Solution Capacity	RS-232、TCP、UDP、FTP、Modbus			
Resolution [H*V]	1408 × 1024			
Sensor Size	1/2.9"			
Sensor Tecchnology	Global, CMOS			
Pixel Size [μm]	3.45 × 3.45			
Lens Mount	M12-Mount			
Focal Length	8mm	12.4mm	14.8mm	
Lens Cap	Transparent lens cap			
Light Source	White LED			
Frame Rate [fps]	60			
Exposure Time	16μs~1s			
Dynamic Range	71.4dB			
Mono/Color	Mono		Color	
Image Format	Mono 8		Mono 8, RGB 8	
Data interface	Fast Ethernet (100Mbit/s)			
Digital I/O	Device trigger via pressing button supported, 17-pin M12 connector provides power, Ethernet, serial port, digital I/O, including: Input signal × 1、output signal × 1、bi-directional I/O × 2			
Power Input	DC 12-24V			
Power Consumption	24V @22W			
Dimension	46 × 57.6 × 25 mm (220g)			
Temperature	-30~70 ° C (Storage), 0~50° C (Working)			
Software	SM-Datum			

**:Support different focal length selection

Dimensions:



Detection Range:

Lens focal length (mm)	Working Distance (mm)	Field of view (mm)	Single pixel accuracy
8 mm	80 mm	47.62 mm × 34.64 mm	0.034 mm
	2000 mm	1190.59 mm × 865.88 mm	0.846 mm
12.4 mm	200 mm	78.35 mm × 56.98 mm	0.056 mm
	2000 mm	783.48 mm × 569.81 mm	0.556 mm
14.8 mm	270 mm	88.62 mm × 64.45 mm	0.063 mm
	2000 mm	656.43 mm × 477.41 mm	0.466 mm

Note: During the operation of this product, looking directly at this product may cause harm to the eyes, and protective measures such as protective glasses should be worn during operation.

