



iDatum90GSWC130M SWIR Camera

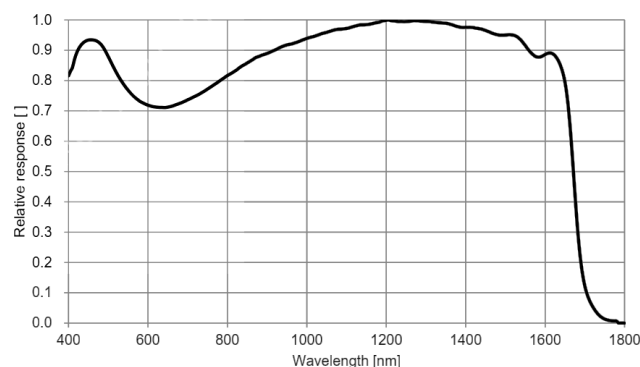
- 1.3MP @91 fps
- Adopts InGaAs sensor,supports TEC colling
- Supports spectral imaging of 0.4 μm to 1.7 μm
- Adopts GigE interface and max. transmission distance of 100 meters without relay
- Compatible with GigE Vision Protocol, GenICam Standard, and the third-party software based on these protocol and standard



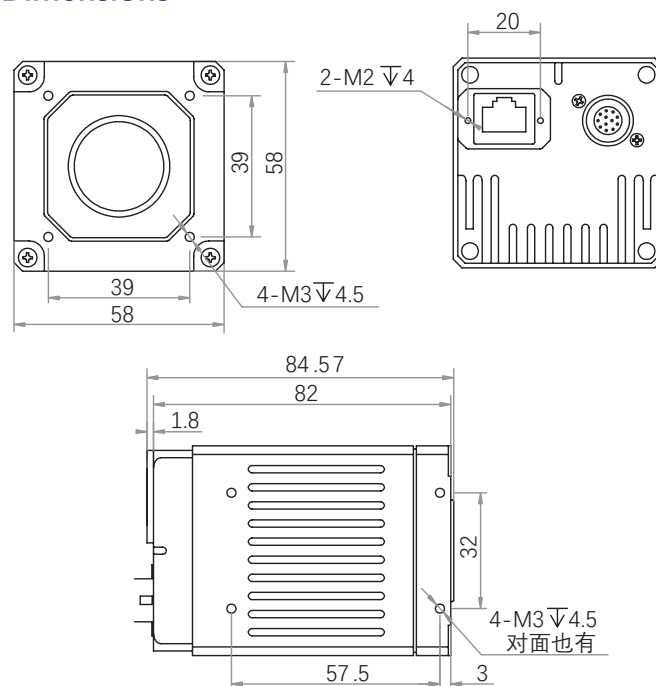
Applied range • Analysis of agricultural products quality • Fruit and vegetable sorting • Garbage classification • Glass cover plate
• Hyperspectral applications

Camera	iDatum90GSWC130M
Resolution [H*V]	1280 × 1024
Sensor Type	InGaAs
Sensor	Sony IMX990
Sensor Size	1/2"
Pixel Size [μm]	5 × 5
Frame Rate [fps]	91
Exposure Time	8 μs -0.1 s UltraShort exposure: 3 μs -7 μs
Dynamic Range	56 dB
Image Format	Mono 8/10/10Packed/12/12Packed
Interface	GigE
Synchronization	Via hardware trigger、 software trigger or free run mode
Housing Size [l*w*h]	58.0 × 58.0 × 82.0 mm (470g)
Operating Temperature	-30~70 ° C (Storage), -30~50° C (Working)
Lenses Mount	C-Mount
Digital I/O	Opto-isolated input x 1, opto-isolated output x 1, bi-directional custom non-isolated I/O x 1 and RS232 x 1
Power Input	DC 9-24V
Power Consumption	12V @11.7W (TEC enabled)
Driver	LEO Series Camera Software Suite (iDatum) or 3rd party GigE Vision Software
Operating System	Windows, Linux
Conformity	GigE Vision, GenICam

Spectral Response



Dimensions



No.8, Xiyuan 9th Road West Lake District, Hangzhou 310030 China
Tel: 86-571-86888309, 86-571-86888307
Web: www.visiondatum.com Email: market@visiondatum.com

