



LEO 5000G-60um/uc-HR

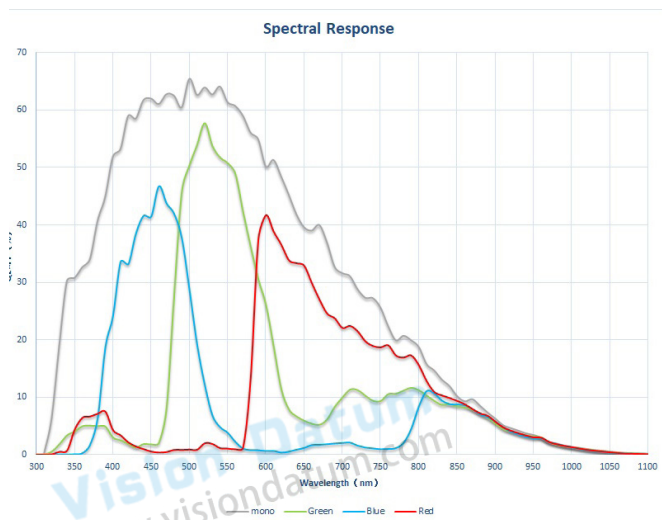
- 5MP resolution @59.8 fps
- USB 3.0 interface with plug and play capability, USB3.0 power supply
- Compatible with USB3 Vision Protocol, GenICam Standard, and the third-party software based on these protocol and standard
- Support Windows and Linux
- Low power consumption



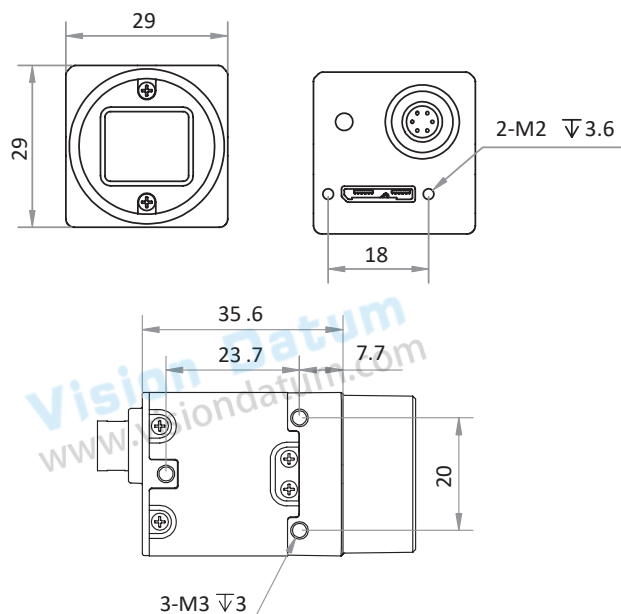
**Applied range** • Defect Detection • Surface Patch Detection • Visual Positioning • Size Measuring • QR Code Reading • VR/AR • Logistics

Camera	LEO 5000G-60um/uc-HR
Resolution [H*V]	2600 × 2160
Sensor	GMAX2505
Sensor Size	1/2"
Sensor Technology	Global, CMOS
Pixel Size [μm]	2.5 × 2.5
Frame Rate [fps]	59.8
Data Bit	8bit / 10bit / 12bit
Exposure Time	3μs~10s
Dynamic Range	63.9dB
Mono/Color	Mono
Image Format	Monochrome: Mono8/10/10p/12/12p Color: Bayer BG 8/10/10Packed/12/12Packed
Interface	USB 3.0
Synchronization	Via hardware trigger, software trigger or free run mode
Housing Size [l*w*h]	29.0 mm × 29.0 mm × 30.0 mm (80g)
Operating Temperature	-30~70 ° C (Storage), 0~50° C (Working)
Lenses Mount	C-Mount
Digital I/O	Opto-isolated input x 1, opto-isolated output x 1, and bi-directional custom non-isolated I/O x 1
Power Input	DC 9-24V, Supporting USB
Power Consumption	Monochrome: 5V @2.1W Color: 5V @2.2W
Driver	LEO Series Camera Software Suite or 3rd party USB3 Vision Software
Operating System	Windows, Linux
Conformity	USB3 Vision, GenICam

### Spectral Response



### Dimensions



No.8, Xiyuan 9th Road West Lake District, Hangzhou 310030 China  
Tel: 86-571-86888309, 86-571-86888307  
Web: [www.visiondatum.com](http://www.visiondatum.com) Email: [market@visiondatum.com](mailto:market@visiondatum.com)

