



**Mars1300-201um/uc-BC**

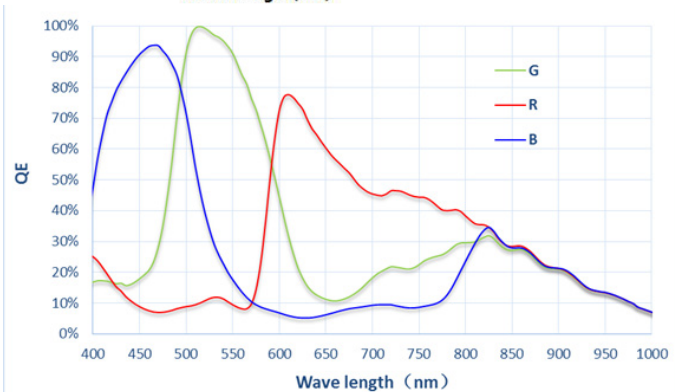
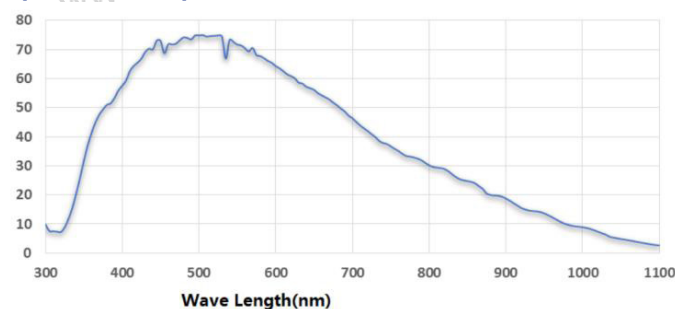
- 1.3MP @201 fps
- USB 3.0 interface with plug and play capability, USB3.0 power supply
- Compatible with USB3 Vision Protocol, GenICam Standard, and the third-party software based on these protocol and standard
- Support Windows, Linux
- USB3.0 Board-Level Camera



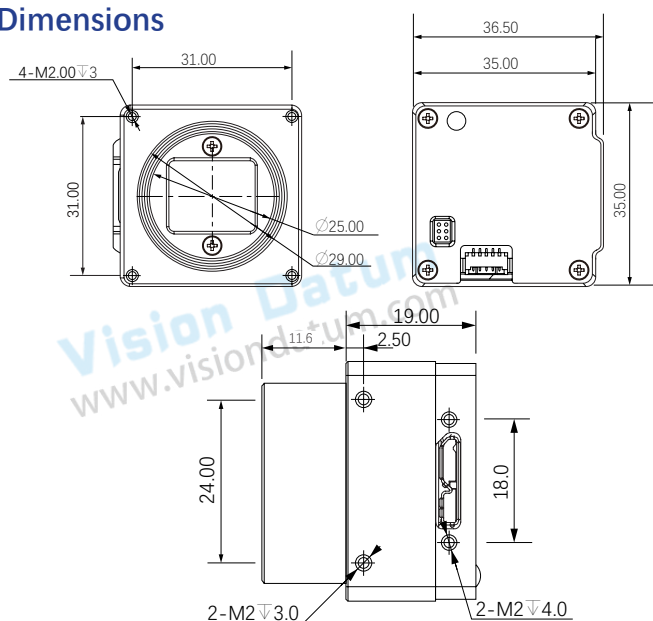
**Applied range** • Defect Detection • Surface Patch Detection • Visual Positioning • Size Measuring • QR Code Reading • VR/AR • Logistics

Camera	Mars1300-201um/uc-BC
Resolution [H*V]	1280 x 1024
Sensor	SS
Sensor Size	1/2.7"
Sensor Technology	Global, CMOS
Pixel Size [μm]	4.0 x 4.0
Frame Rate [fps]	201
Data Bit	10bit
Exposure Time	10μs~1s
Dynamic Range	60dB
Mono/Color	Mono/Color
Image Format	Mono: Mono8/10/10Packed Color: BayerRG8/10/10P, BayerGB8/10/10P
Interface	USB3.0
Synchronization	Via hardware trigger、software trigger or free run mode
Housing Size [l*w*h]	35.0 × 35.0 × 19.0 (68g)
Operating Temperature	-30~80 ° C (Storage), -30~50° C (Working)
Lenses Mount	C-Mount
Digital I/O	5 pin trigger connector: Opto-isolated input x1, Opto-isolated output x1, configurable input and output x1
Power Input	DC 5V, Supporting USB
Power Consumption	≈ 2.8W
Driver	Mars Series Camera Software Suite or 3rd party USB3 Vision Software
Operating System	Windows, Linux
Conformity	USB3 Vision, GenICam

### Spectral Response



### Dimensions



No.8, Xiyuan 9th Road West Lake District, Hangzhou 310030 China

Tel: 86-571-86888309, 86-571-86888307

Web: [www.visiondatum.com](http://www.visiondatum.com)

Email: [market@visiondatum.com](mailto:market@visiondatum.com)

