



Mars1500S-250um/uc-BC

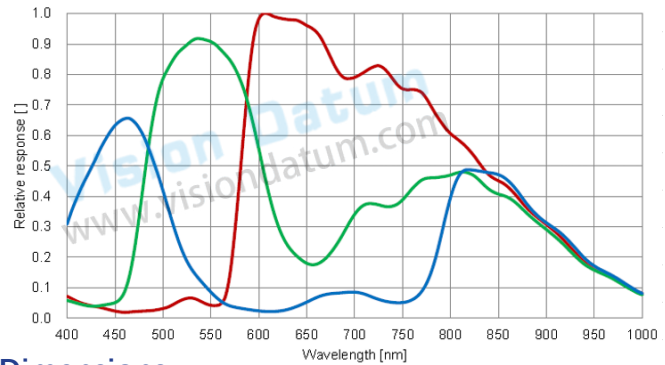
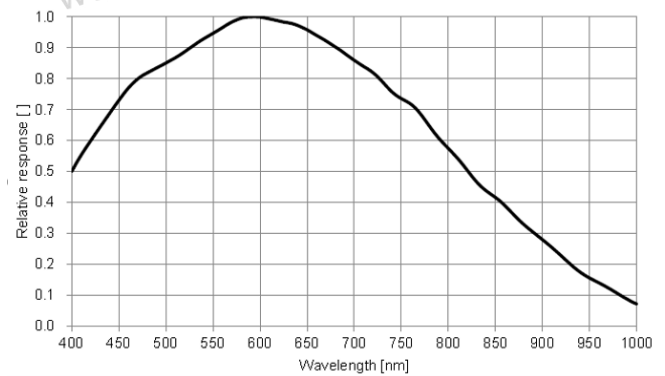
- 1.5MP @249 fps
- USB 3.0 interface with plug and play capability, USB3.0 power supply
- Compatible with USB3 Vision Protocol, GenICam Standard, and the third-party software based on these protocol and standard
- Support Windows、Linux
- USB3.0 Board-Level Camera



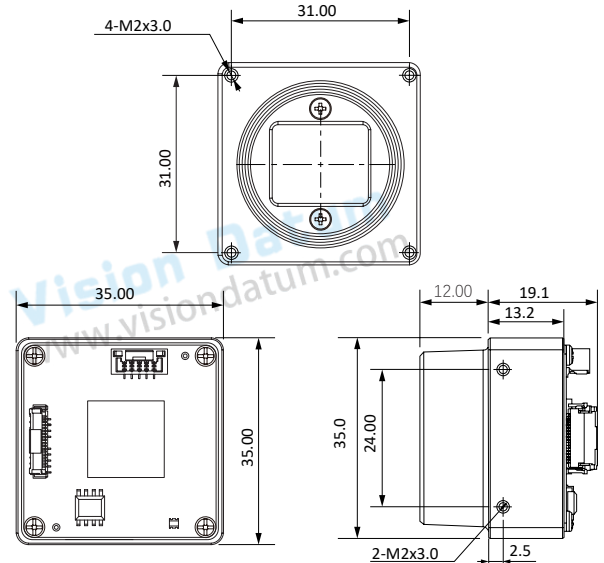
**Applied range** • Defect Detection • Surface Patch Detection • Visual Positioning • Size Measuring • QR Code Reading • VR/AR • Logistics

Camera	Mars1500S-250um/uc-BC
Resolution [H*V]	1440 × 1080
Sensor	IMX273
Sensor Size	1/2.9"
Sensor Technology	Global, CMOS
Pixel Size [μm]	3.45 × 3.45
Frame Rate [fps]	249
Data Bit	10bit
Exposure Time	16μs~1s
Dynamic Range	>70dB
Mono/Color	Mono/Color
Image Format	Mono:Mono8/10/10Packed Color:BayerRG8/10/10Packed;BayerGB8/10/10Packed
Interface	USB3.0
Synchronization	Via hardware trigger、software trigger or free run mode
Housing Size [l*w*h]	35.0 × 35.0 × 31.0 (50g)
Operating Temperature	-30~80 ° C (Storage), -30~50° C (Working)
Lenses Mount	C-Mount
Digital I/O	5 pin trigger connector: Opto-isolated input x1, Opto-isolated output x1, configurable input and output x1
Power Input	DC 5V, Supporting USB
Power Consumption	5V@ ≈ 2.8W
Driver	Mars Series Camera Software Suite or 3rd party USB3 Vision Software
Operating System	Windows, Linux
Conformity	USB3 Vision, GenICam

### Spectral Response



### Dimensions



No.8, Xiyuan 9th Road West Lake District, Hangzhou 310030 China  
Tel: 86-571-86888309, 86-571-86888307  
Web: [www.visiondatum.com](http://www.visiondatum.com) Email: [market@visiondatum.com](mailto:market@visiondatum.com)

