



Mars3000S-120um/uc-BC

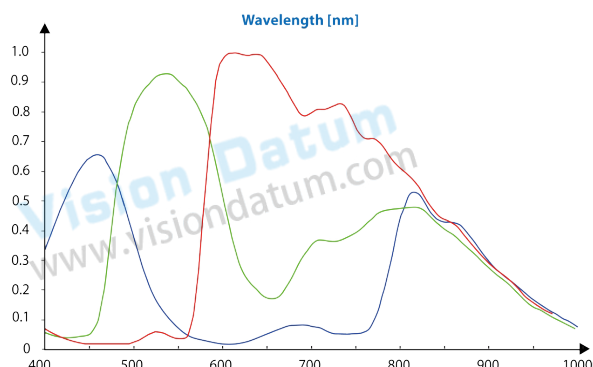
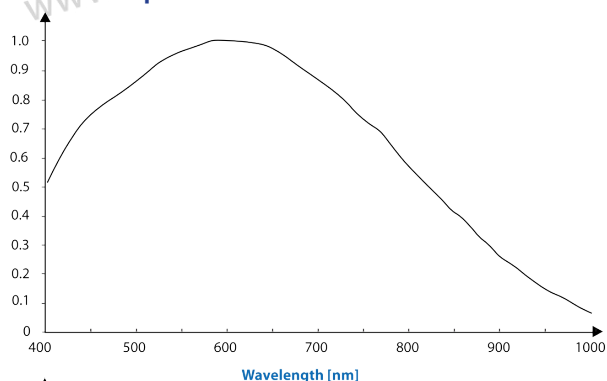
- 3MP @120 fps
- USB 3.0 interface with plug and play capability, USB3.0 power supply
- Compatible with USB3 Vision Protocol, GenICam Standard, and the third-party software based on these protocol and standard
- Support Windows、Linux
- USB3.0 Board-Level Camera



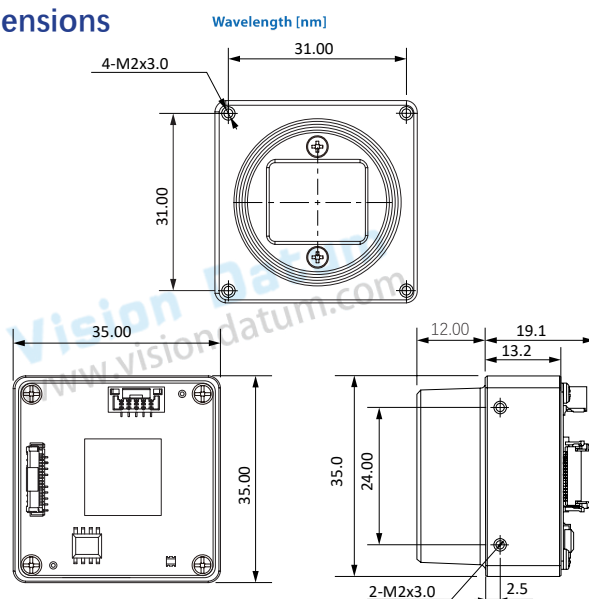
Applied range • Defect Detection • Surface Patch Detection • Visual Positioning • Size Measuring • QR Code Reading • VR/AR • Logistics

Camera	Mars3000S-120um/uc-BC
Resolution [H*V]	2048 × 1536
Sensor	IMX252
Sensor Size	1/1.8"
Sensor Technology	Global, CMOS
Pixel Size [μm]	3.45 × 3.45
Frame Rate [fps]	120
Data Bit	10bit
Exposure Time	16μs~1s
Dynamic Range	>70dB
Mono/Color	Mono/Color
Image Format	Mono:Mono8/10/10Packed Color:BayerRG8/10/10Packed;BayerGB8/10/10Packed
Interface	USB3.0
Synchronization	Via hardware trigger、software trigger or free run mode
Housing Size [l*w*h]	35.0 × 35.0 × 31.0 (50g)
Operating Temperature	-30~80 ° C (Storage), -30~50° C (Working)
Lenses Mount	C-Mount
Digital I/O	5 pin trigger connector: Opto-isolated input x1, Opto-isolated output x1, configurable input and output x1
Power Input	DC 5V, Supporting USB
Power Consumption	5V@ ≈ 2.8W
Driver	Mars Series Camera Software Suite or 3rd party USB3 Vision Software
Operating System	Windows, Linux
Conformity	USB3 Vision, GenICam

Spectral Response



Dimensions



No.8, Xiyuan 9th Road West Lake District, Hangzhou 310030 China
Tel: 86-571-86888309, 86-571-86888307
Web: www.visiondatum.com Email: market@visiondatum.com

