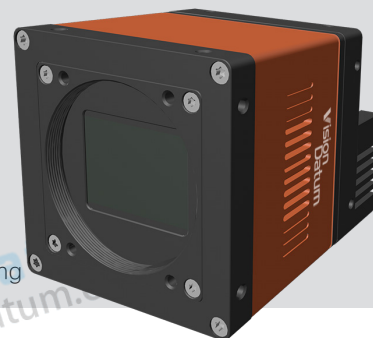




Mars12MC-330xm/xc-M58

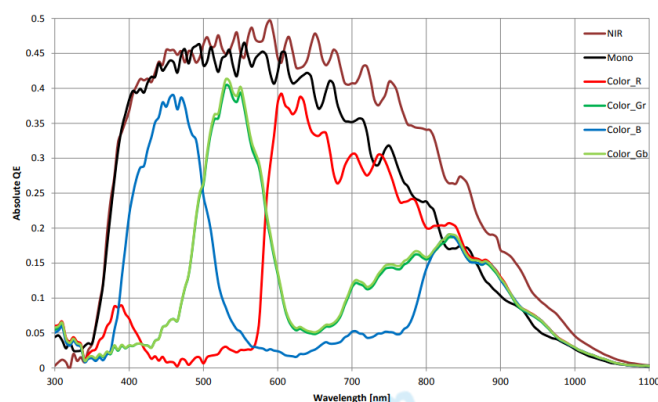
- 12MP @330 fps
- CoaXPress uses CXP-12, theoretical bandwidth 4 x 12.5Gbps
- Compatible with CoaXPress Protocol, GenICam Standard
- Support Windows operating platform
- Support DC 24V / PoCXP power supply



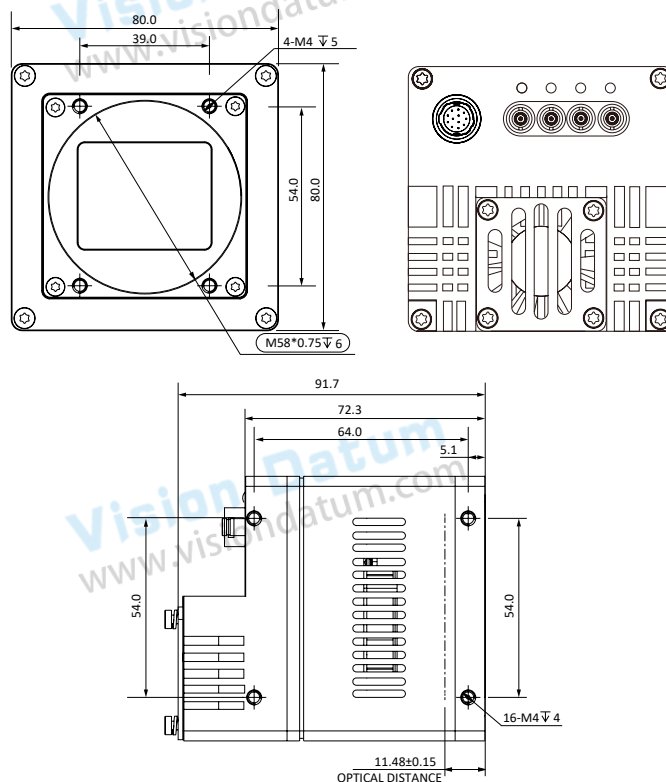
**Applied range** • Printing • Textile • Railway • Logistics • Metallurgy • Food • Pharmaceutical • Material sorting

| Camera                       | Mars12MC-330xm/xc-M58   |
|------------------------------|---|
| Resolution [H*V]             | 4096 x 3072   |
| Sensor                       | CMV12000  |
| Sensor Size                  | 22.5 mm x 16.9 mm   |
| Sensor Technology            | CMOS, Global  |
| Pixel Size [ $\mu\text{m}$ ] | 5.5 $\times$ 5.5  |
| Frame Rate [fps]             | 330   |
| Data Bit                     | 12bit   |
| Exposure Time                | 50 $\mu\text{s}$ ~5s  |
| Dynamic Range                | 60dB  |
| Mono/Color                   | Mono/Color  |
| Image Format                 | Mono:Mono8/10/12<br>Color:BayerGR8/10/12, BayerRG8/10/12,<br>BayerGB8/10/12, BayerBG8/10/12 |
| Interface                    | CoaXPress   |
| Synchronization              | Via hardware trigger, software trigger or free run mode                                     |
| Housing Size [l*w*h]         | 80.0 $\times$ 80.0 $\times$ 72.3 mm (790g)  |
| Operating Temperature        | -30~80 $^{\circ}\text{C}$ (Storage), -30~50 $^{\circ}\text{C}$ (Working)                    |
| Lens Mount                   | M58*0.75(FBL 11.48 $\pm$ 0.15)  |
| Digital I/O                  | Opto-isolated input x 3, opto-isolated output x 3,<br>and RS232 x 1                         |
| Power Input                  | PoCXP / DC 24V  |
| Power Consumption            | 24V@ $\approx$ 24W  |
| Driver                       | Frame Grabber control software compliant with CoaXPress protocol                            |
| Operating System             | Windows   |
| Conformity                   | CoaXPress, GenICam  |

### Spectral Response



### Dimensions



No.8, Xiyuan 9th Road West Lake District, Hangzhou 310030 China  
 Tel: 86-571-86888309, 86-571-86888307  
 Web: [www.visiondatum.com](http://www.visiondatum.com) Email: [market@visiondatum.com](mailto:market@visiondatum.com)

