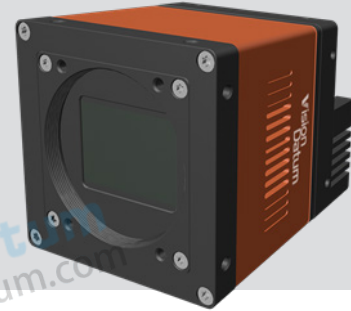


TEC Cooling



Mars151MSC-6xm/xc-M72

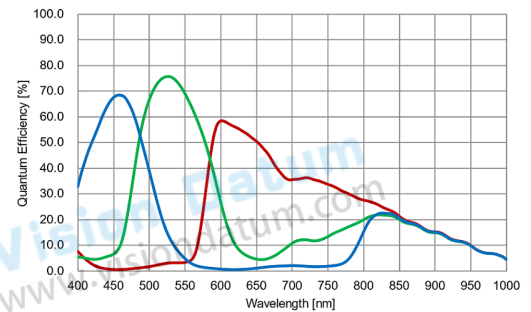
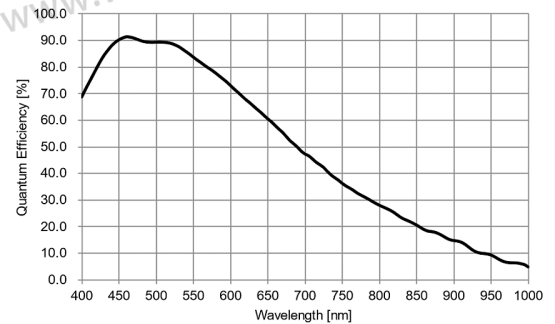
- 151MP @6.2 fps
- CoaXPRESS uses CXP-6, theoretical bandwidth 4 x 6.25Gbps
- Compatible with CoaXPRESS Protocol, GenICam Standard, and the third-party software based on these protocol and standard
- Support Windows operating platform
- Support PoCXP / DC 24V power supply



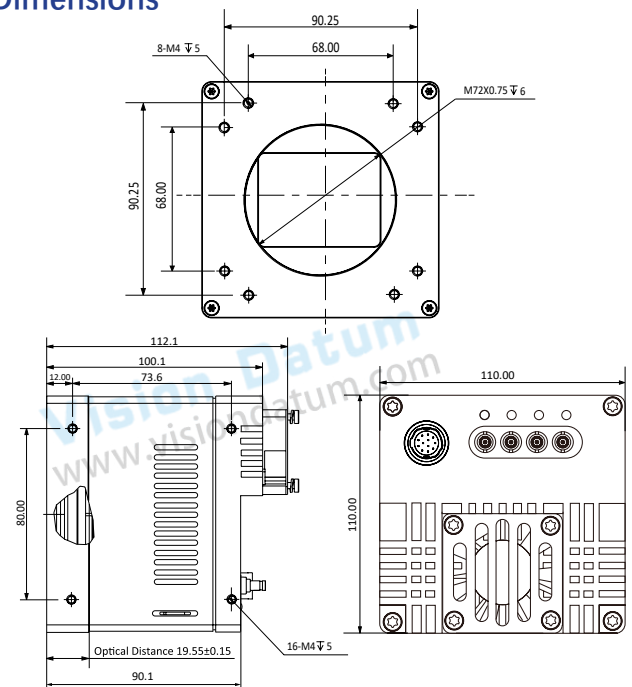
Applied range • Printing • Textile • Railway • Logistics • Metallurgy • Food • Pharmaceutical • Material sorting

Camera	Mars151MSC-6xm/xc-M72
Resolution [H*V]	14192 × 10640
Sensor	Sony IMX411
Sensor Type	CMOS
Pixel Size [μm]	3.76 x 3.76
Frame Rate [fps]	6.2
Data Bit	12 bit
Exposure Time	30μs~6.5s
Dynamic Range	78dB
Mono/Color	Mono / Color
Image Format	Mono:Mono8/10/12 Color:Bayer 8/10/12
Interface	CoaXPRESS
Synchronization	Via hardware trigger、software trigger or free run mode
Housing Size [L*W*H]	110.0 × 110.0 × 90.1 mm (1000g)
Operating Temperature	-30~80 ° C (Storage), -10~50° C (Working)
Lenses Mount	M72*0.75
Digital I/O	Opto-isolated input x 3, opto-isolated output x 3, RS232 x 1
Power Input	PoCXP / DC 24V
Power Consumption	24V@51.6W
Driver	Frame Grabber control software compliant with CoaXPRESS protocol
Operating System	Windows
Conformity	CoaXPRESS, GenICam

Spectral Response



Dimensions



No.8, Xiyuan 9th Road West Lake District, Hangzhou 310030 China
 Tel: 86-571-86888309, 86-571-86888307
 Web: www.visiondatum.com Email: market@visiondatum.com

