



Mars25MG-90xm/xc-C

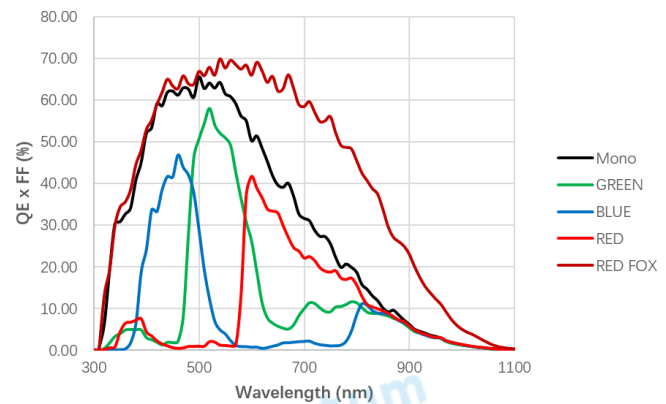
- 25MP @90 fps
- CoaXPress uses CXP-6, theoretical bandwidth 4 x 6.25Gbps
- Compatible with CoaXPress Protocol, GenICam Standard
- Support Windows operating platform
- Support DC 24V / PoCXP power supply



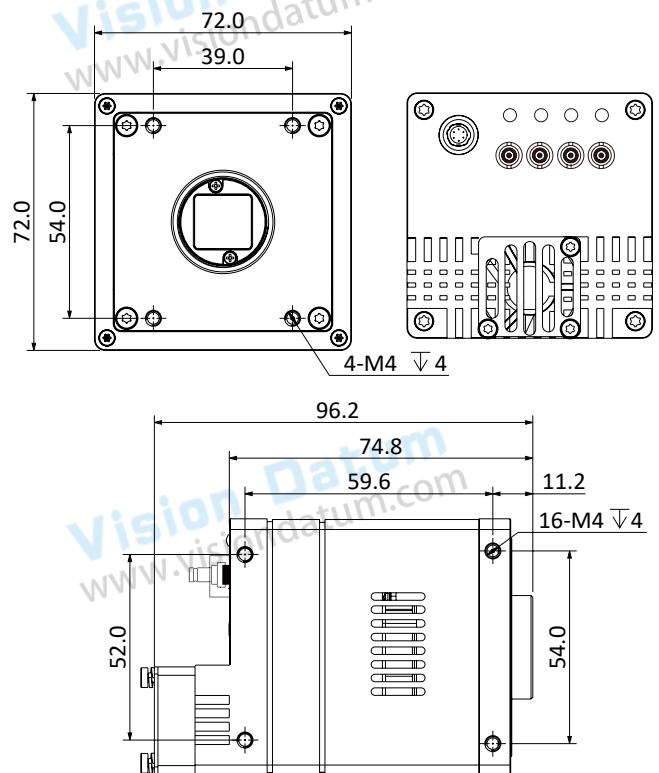
Applied range • Printing • Textile • Railway • Logistics • Metallurgy • Food • Pharmaceutical • Material sorting

Camera	Mars25MG-90xm/xc-C
Resolution [H*V]	5120 x 5120
Sensor	GMAX0505
Sensor Size	1"
Sensor Technology	CMOS, Global
Pixel Size [μm]	2.5 x 2.5
Frame Rate [fps]	90
Data Bit	10bit
Exposure Time	25 μs ~5s
Dynamic Range	63dB
Mono/Color	Mono / Color
Image Format	Mono: Mono8/10/12 Color: BayerGR8/10/12, BayerRG8/10/12, BayerGB8/10/12, BayerBG8/10/12
Interface	CoaXPress
Synchronization	Via hardware trigger, software trigger or free run mode
Housing Size [l*w*h]	72.0 x 72.0 x 74.8 mm (720g)
Operating Temperature	-30~80 ° C (Storage), -30~50° C (Working)
Lenses Mount	C-mount
Digital I/O	Opto-isolated input x 3, opto-isolated output x 3, and RS232 x 1
Power Input	PoCXP / DC 24V
Power Consumption	24V@ \approx 13W
Driver	Frame Grabber control software compliant with CoaXPress protocol
Operating System	Windows
Conformity	CoaXPress, GenICam

Spectral Response



Dimensions



No.8, Xiyuan 9th Road West Lake District, Hangzhou 310030 China
Tel: 86-571-86888309, 86-571-86888307
Web: www.visiondatum.com Email: market@visiondatum.com

