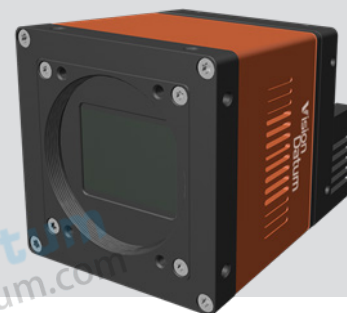




Mars65MG CXP-M58

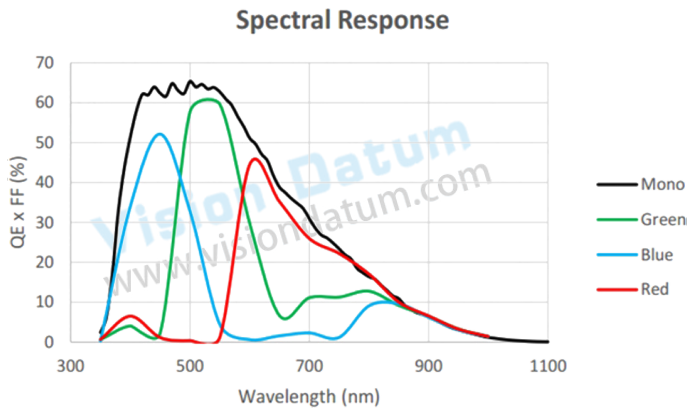
- 65MP @ up to 71 fps
- CXP-6/CXP-12 optional, theoretical bandwidth up to 4 x 12.5Gbps
- Compatible with CoaXPRESS Protocol, GenICam Standard, and the third-party software based on these protocol and standard
- Support Windows operating platform
- Support PoCXP / DC 24V power supply



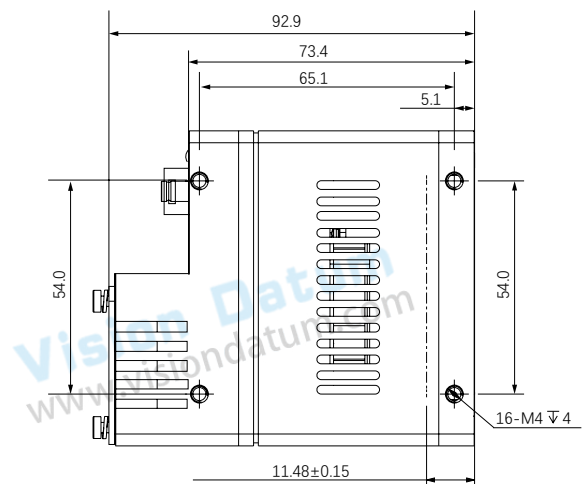
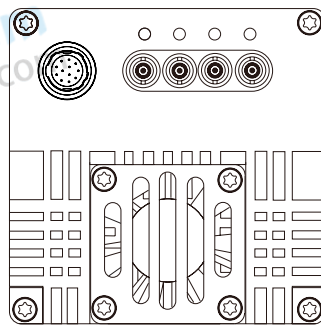
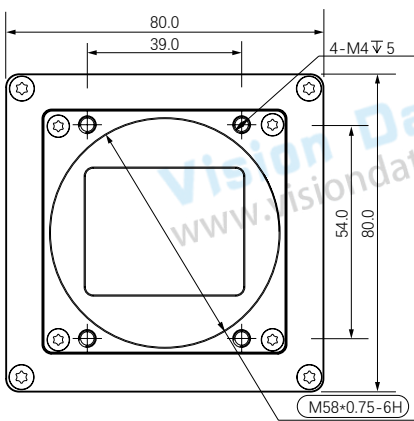
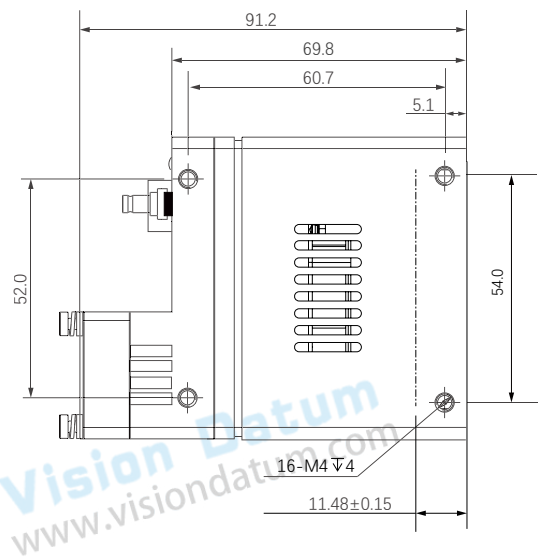
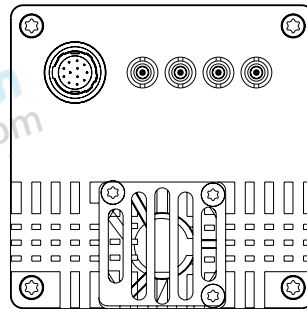
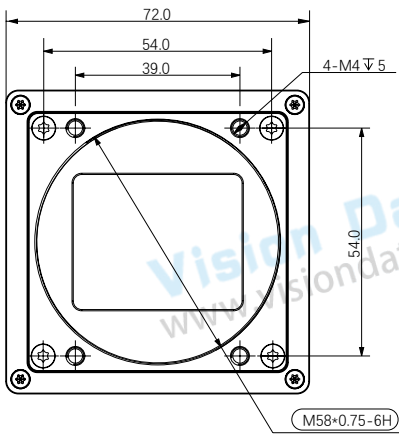
**Applied range** • Printing • Textile • Railway • Logistics • Metallurgy • Food • Pharmaceutical • Material sorting

Camera	Mars65MG-31xm-M58	Mars65MG-31xc-M58	Mars65MG-71xm-M58	Mars65MG-71xc-M58
Resolution [H*V]	9344 x 7000			
Sensor	GMAX3265			
Sensor Size	29.9 mm × 22.4 mm			
Sensor Type	CMOS, Global			
Pixel Size	3.2 x 3.2			
Frame Rate	31		71	
Data Bit	12 bit		10 bit	
Exposure Time	27μs~5s			
SNR	40dB			
Dynamic Range	66dB			
Mono/Color	Mono	Color	Mono	Color
Image Format	Mono8/10/12	BayerRG8/10/12	Mono8/10/12	BayerGB8/10/12
Interface	CoaXPRESS			
Synchronization	Via hardware trigger、software trigger or free run mode			
Housing Size	72.0 × 72.0 × 69.8 mm (690g)		80.0 × 80.0 × 73.4 mm (790g)	
	(not including lens mount and rear case connector)			
Operating Temperature	-30~80 ° C (Storage), -30~50° C (Working)			
Lenses Mount	M58*0.75			
Digital I/O	12Pin: Opto-isolated input x 3, opto-isolated output x 3, RS232 x 1			
Power Input	PoCXP / DC 24V			
Power Consumption	24V@ ≈ 21.6W		24 V ≈ 24 W	
Driver	Frame Grabber control software compliant with CoaXPRESS protocol			
Operating System	Windows			
Conformity	CoaXPRESS, GenICam			

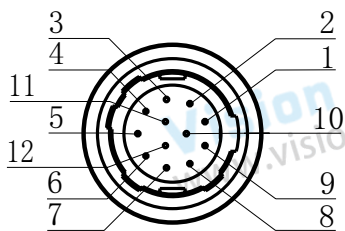
### Spectral Response



### Dimensions



### IO Interface Definitions



Color	Pin	Signal	Signal Source	Designation
Black	1	GND	-	Camera Power Supply Ground and Signal Ground
Red	2	DC_PWR	-	DC Camera Power
Brown	3	232_RXD	RXD RS232	RS232 Received Data
Orange	4	232_TXD	TXD RS232	RS232 Transmitted Data
Yellow	5	OPTO_IN	Line3	Opto-isolated Input
Green	6	OPTO_IN	Line4	Opto-isolated Input
Blue	7	OPTO_IN	Line5	Opto-isolated Input
Purple	8	GND	OPT_IN_GND	Opto-isolated input ground
Gray	9	OPTO_OUT	Line0	Opto-isolated Output
White	10	OPTO_OUT	Line1	Opto-isolated Output
Pink	11	OPTO_OUT	Line2	Opto-isolated Output
Light green	12	GND	OPT_OUT_GND	Opto-isolated output ground

Vision Datum  
www.visiondatum.com

Vision Datum  
www.visiondatum.com

Vision Datum  
www.visiondatum.com

Vision Datum  
www.visiondatum.com



The wire color of this user manual is the color of Vision Datum. If you use other manufacturers' cable color definitions may be different, random connection may cause the camera to burn out, please connect according to the I/O port type and pin definition or contact our technical staff for advise.

Vision Datum offers suitable cables. contact your sales representative to order cables.



No.8, Xiyuan 9th Road West Lake District, Hangzhou 310030 China

Tel: 86-571-86888309, 86-571-86888307

Web: www.visiondatum.com

Email: market@visiondatum.com

