



Mars2000S-60gm/gc

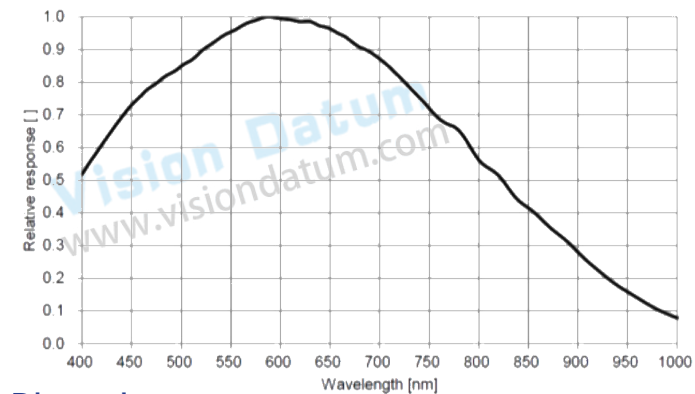
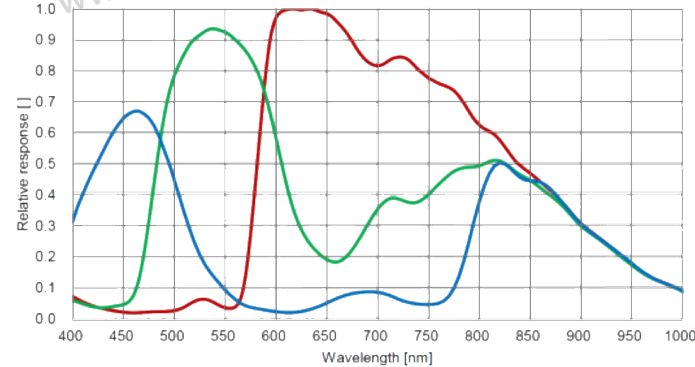
- 2MP @60 fps
- Adopts GigE interface and max. transmission distance of 100 meters without relay
- Compatible with GigE Vision Protocol, GenICam Standard, and the third-party software based on these protocol and standard
- Support Windows、Linux
- 256 MB local memory for burst transmission and retransmission



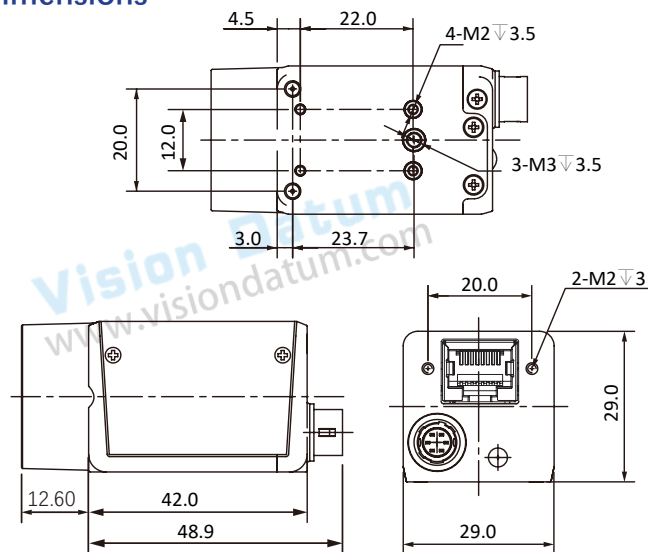
**Applied range** • Defect Detection • Surface Patch Detection • Visual Positioning • Size Measuring • QR Code Reading • VR/AR • Logistics

Camera	Mars2000S-60gm/gc
Resolution [H*V]	1624 x 1240
Sensor	Sony IMX430
Sensor Size	1/1.7"
Sensor Technology	Global, CMOS
Pixel Size [ $\mu\text{m}$ ]	4.5 x 4.5
Frame Rate [fps]	60
Data Bit	10bit
Exposure Time	1 $\mu\text{s}$ ~1s
Dynamic Range	60dB
Mono/Color	Mono/Color
Image Format	Mono:Mono8/10/10p Color:Mono8,BayerRG8/10/10P, YUV422_8_UYVY,YUV422_8
Interface	GigE
Synchronization	Via hardware trigger、software trigger or free run mode
Housing Size [*w*h]	29.0 x 29.0 x 42.0 mm (88g)
Operating Temperature	-30~80 ° C (Storage), -30~50° C (Working)
Lenses Mount	C-Mount
Digital I/O	Opto-isolated input x 1, opto-isolated output x 1, and bi-directional custom non-isolated I/O x 1
Power Input	DC 9-24V, Supporting PoE
Power Consumption	12V @ $\approx$ 3.8W
Driver	Mars Series Camera Software Suite (iCentral) or 3rd party GigE Vision Software
Operating System	Windows, Linux
Conformity	GigE Vision, GenICam

### Spectral Response



### Dimensions



No.8, Xiyuan 9th Road West Lake District, Hangzhou 310030 China  
Tel: 86-571-86888309, 86-571-86888307  
Web: [www.visiondatum.com](http://www.visiondatum.com) Email: [market@visiondatum.com](mailto:market@visiondatum.com)

