

iVa30L4MPH-L3 Multi-spectral Camera

- Transmit visible video and infrared video simultaneously.
- Integrated with visual, laser and thermal multi-spectral imaging for 24/7 surveillance
- Clearer imaging with the latest 12micron uncooled infrared detector and leading infrared image algorithm
- Integrated with high-speed and high-accuracy Pan-Tilt, encapsulation rating IP66
- Support ONVIF standard protocols, provide SDK, matched NVR and software



Applied range • Forest Fire Prevention • Urban High-Altitude Surveillance • Border and Coastal Surveillance

Technical Index		iVa30L4MPH-L3		
Thermal	Sensor Type	VOx uncooled FPA detector		
	Spectral Range	8 ~ 14μm		
	NETD	≤ 40mK(@25° C, F#1.0, 25Hz)		
	Resolution	640×512		
	Pixel Size	12μm		
	Focal Length	25~225mm	30~150mm	
	Focus Mode	Auto/Manual/One-shot Auto		
	FOV	17.6° ×14.1° ~2.0° ×1.6°	2.9° ×2.3° ~14.7° ×11.7°	
	F/#	F0.95~F1.5	F0.85~F1.2	
	Spatial Resolution	0.053~0.480mrad	0.080~0.400mrad	
	Color Palettes	20 modes selectable such as Blackhot/Whitehot/Rainbow, etc.		
Visible	Sensor	1/1.8inch 4MP CMOS		
	Resolution	2688×1520		
	Focal Length	6~300mm		
	Focus Mode	Auto/Manual/One-shot auto		
	FOV	66.0° ×40.3° ~ 1.4° ×0.8°		
	WDR	Support		
	Day /Night	Manual/Auto		
	Defog	Support optical defog		
Laser	Illumination Distance	3000m		
PTZ	Pan Range	360° continuous		
	Pan Speed	0.01° ~ 60° /s		
	Tilt Range	-60° ~ +60°		
	Tilt Speed	0.01° ~ 15° /s		
	Scan Mode	Preset/Tour/Patrol Scan/Linear Scan/Pattern		
Network	Protocols	TCP/IP, UDP, ICMP, HTTP, HTTPS, FTP, DHCP, DNS, RTP, RTSP, RTCP, IGMP, SMTP, NTP, QoS		
	Interoperability	ONVIF/SDK		
	Simultaneous live view	Up to 20 channels		
	User Management	Up to 20 users, 2 levels: Administrator and User		
	Browser	Support IE, Edge, Google Chrome, Mozilla Firefox		

Video	Resolution	2688×1520(Visible), 1280×1024(Thermal)
	Image Encoding Format	JPEG
	Audio Compression	G.711A/G.711Mu/PCM/AAC/MPEG2-Layer2
	Video Compression	H.264/H.265/MJPEG
	Main Stream	Visible: 50Hz:25fps(2688×1520,1920×1080,1280×720) 60Hz:30fps(2688×1520,1920×1080,1280×720) Thermal: 50Hz:25fps(1280×1024,1280×720,1024×768)
	Sub Stream	Visible: 50Hz:25fps(1920×1080,1280×720,704×576,352×288) 60Hz:30fps(1920×1080,1280×720,704×480,352×240) Thermal: 50Hz:25fps(640×512,384×288)
Smart Function	Fire Detection	yes
	Zoom Linkage	yes
	Smart Record	Alarm trigger recording, disconnection trigger recording (continue transmission after connection)
	Smart Alarm	Support alarm trigger of network disconnection, IP address conflict, memory error, illegal access, abnormal audio and burn alert
	Smart Detecting	Support smart video analysis such as tripwire, cross-border, and region intrusion
	Alarm Linkage	Recording/Snapshot/Sending email/PTZ linkage/Alarm output
System Interface	Power Supply	DC48V±15%
	Communication Interface	RJ45 self-adaptive 10M/100M Ethernet port
	Audio Interface	1-channel input, 1-channel output
	Alarm Interface	1-channel input, 1-channel output
	Storage Interface	Support Micro SD card (Max.256G)
	Communication Interface	1-channel RS485
General	Operating Conditions	-40°C ~ +70°C ; <90%RH
	Protection Grade	IP66, TVS 6000V Lightning Protection, Surge Protection and Voltage Transient Protection
	Power Consumption	Max.220W
	Dimension	645mm×680.5mm×550mm(W×H×L)
	Weight	59KG

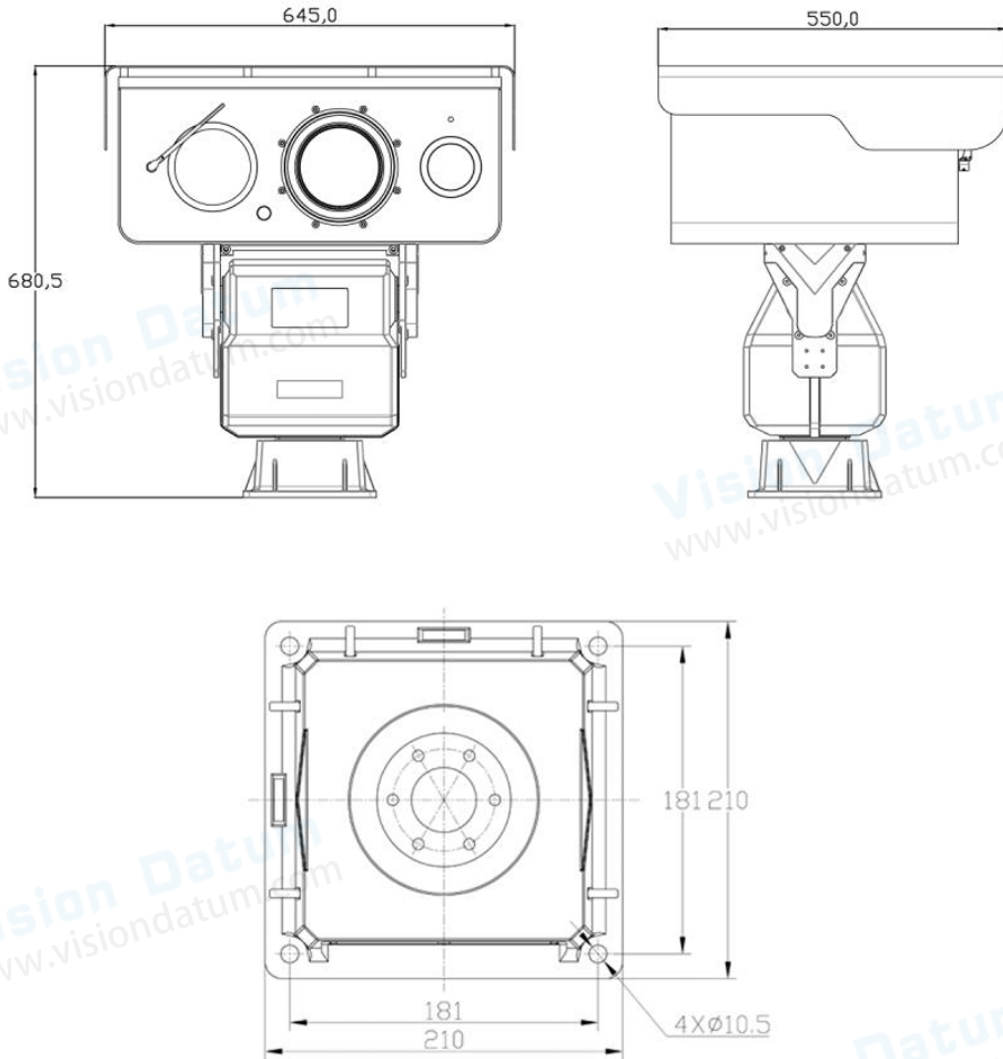
Effective Range

The recommended distance of detection, recognition and identification for human (1.8×0.5m) and vehicle (1.4×4.0m) are as follows:

- DD stands for Detection Distance;
- RD stands for Recognition Distance;
- ID stands for Identification Distance;

Lens	DD (Vehicle)	DD (Man)	RD (Vehicle)	RD (Man)	ID (Vehicle)	ID (Man)
150mm	19.2km	6.3km	4.8km	1.6km	2.4km	0.8km
225mm	28.8km	9.4km	7.2km	2.3km	3.6km	1.2km

Dimensions



Unit: mm

