

iVa30M4MPH-L3

Multi-Spectrum Camera

- Integrated visual and thermal imaging enables dual-spectrum imaging, with laser illumination or ranging capabilities
- Paired with an 88 to 1100 mm 12x continuous zoom infrared lens
- The body features an all-weather protective design with an IP67 protection rating, resistant to wind, water, corrosion, and salt spray
- Support VCA such as tripwire intrusion detection and region intrusion detection.
- Support ONVIF standard protocols, provide SDK, matched NVR and software



Applied range • Forest Fire Prevention • Urban High-Altitude Surveillance • Border and Coastal Surveillance

Technical Index		iVa30M4MPH-L3
Thermal	Sensor Type	MCT cooled FPA detector
	Spectral Range	3.7~4.8μm
	NETD	≤ 20mK(@25° C,F#1.0,25Hz)
	Resolution	640×512
	Pixel Size	15μm
	Focal Length	88~1100mm, 12× optical zoom
	Focus Mode	Auto/Manual/One-shot Auto
	FOV	6.2° ×5.0° ~0.5° ×0.4°
	F/#	F5.5
	Spatial Resolution	0.17~0.014mrad
	Color Palettes	20 modes selectable such as Blackhot/Whitehot/Rainbow,etc.
Visible	Sensor	1/1.8inch 4MP CMOS
	Resolution	2688×1520
	Focal Length	20~1200mm
	Focus Mode	Auto/Manual/One-shot auto
	FOV	29.1° ×16.7° ~0.5° ×0.3°
	WDR	Support
	Day /Night	Manual/Auto
	Defog	Support optical defog
LRF	Laser Wavelength	1535nm
	Range	20km for big targets
Laser	Illumination Distance	3km, sync with visual zoom
	Laser Wavelength	808nm
PTZ	Pan Range	360° continuous
	Pan Speed	0.01° ~120° /s
	Tilt Range	-90° ~+90°
	Tilt Speed	0.01° ~60° /s
	Scan Mode	Preset/Tour/Patrol Scan/Linear Scan/Pattern

Network	Protocols	TCP/IP,UDP,ICMP,HTTP,HTTPS,FTP,DHCP,DNS,RTP,RTSP,RTCP,IGMP,SMTP, NTP, QoS
	Interoperability	ONVIF/SDK
	Simultaneous live view	Up to 20 channels
	User Management	Up to 20 users, 2 levels: Administrator and User
	Browser	Support IE, Edge, Google Chrome, Mozilla Firefox
Video	Resolution	2688×1520(Visible), 1280×1024(Thermal)
	Image Encoding Format	JPEG
	Audio Compression	G.711A/G.711Mu/PCM/AAC/MPEG2-Layer2
	Video Compression	H.264/H.265/MJPEG
	Main Stream	Visible: 50Hz:25fps(2688×1520,1920×1080,1280×720) 60Hz:30fps(2688×1520,1920×1080,1280×720) Thermal: 50Hz:25fps(1280×1024,1280×720,1024×768)
	Sub Stream	Visible: 50Hz:25fps(1920×1080,1280×720,704×576,352×288) 60Hz:30fps(1920×1080,1280×720,704×480,352×240) Thermal: 50Hz:25fps(640×512,384×288)
Smart Function	Fire Detection	Support
	Zoom Linkage	Support
	Smart Record	Alarm trigger recording, disconnection trigger recording (continue transmission after connection)
	Smart Alarm	Support alarm trigger of network disconnection, IP address conflict, SD card full, SD card error, illegal access, and abnormal detection
	Smart Detecting	Support VCA such as tripwire intrusion detection, and region intrusion detection
	Alarm Linkage	Recording/Snapshot/Sending email/PTZ linkage/Alarm output
System Interface	Power Supply	DC48V±15%
	Communication Interface	RJ45 self-adaptive 10M/100M Ethernet port
	Audio Interface	1-channel input, 1-channel output
	Alarm Interface	1-channel input, 1-channel output
	Storage Interface	Support Micro SD card (Max.256G)
	Communication Interface	1-channel RS485
General	Operating Conditions	-40°C ~+70°C ; <90%RH
	Protection Grade	IP66, TVS 6000V Lightning Protection, Surge Protection and Voltage Transient Protection
	Power Consumption	Max.200W
	Dimension	620mm×854mm×525mm(W×H×L)
	Weight	80KG

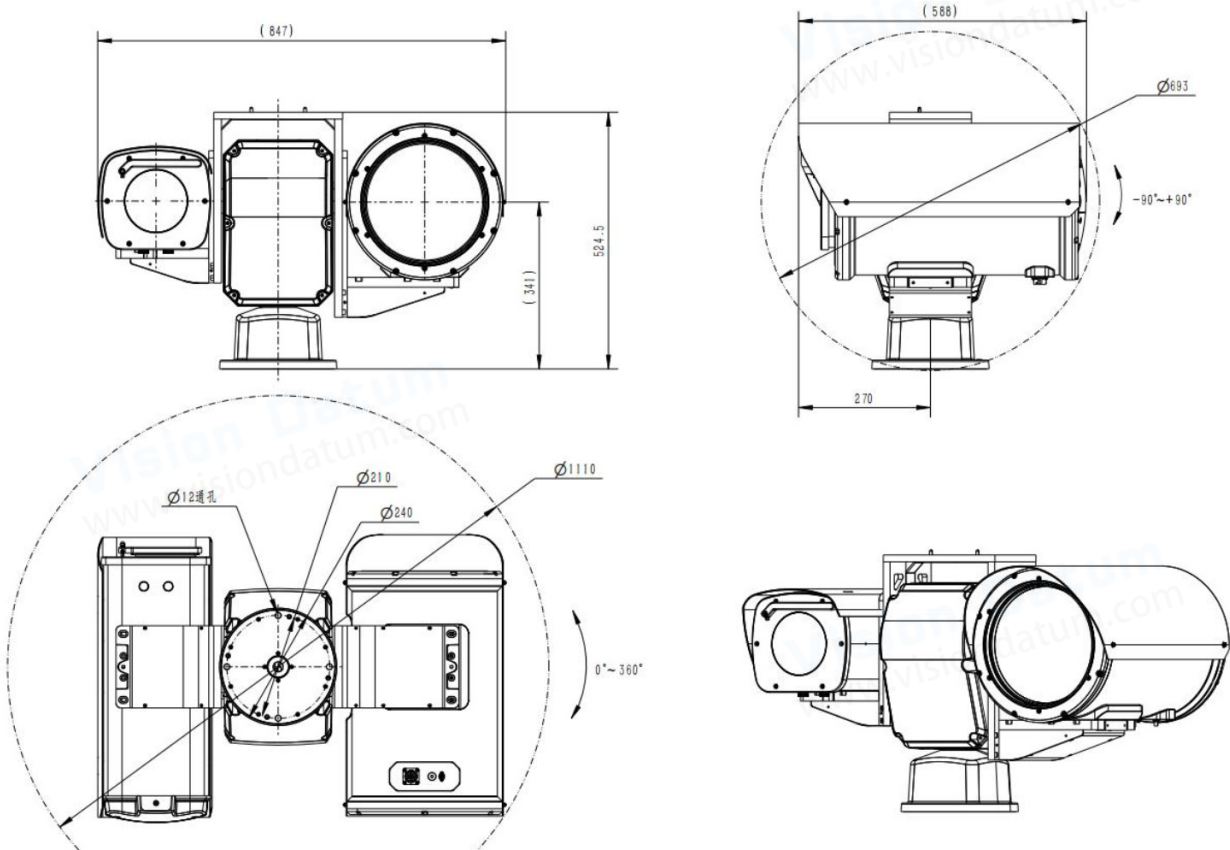
Effective Range

The recommended distance of detection, recognition and identification for human (1.8×0.5m) and vehicle (1.4×4.0m) are as follows:

- DD stands for Detection Distance;
- RD stands for Recognition Distance;
- ID stands for Identification Distance;

Lens	DD (Vehicle)	DD (Man)	RD (Vehicle)	RD (Man)	ID (Vehicle)	ID (Man)
1100mm	112.4km	36.7km	28.1km	9.2km	14.1km	4.6km

Dimensions



Unit: mm



No.8, Xiyuan 9th Road West Lake District, Hangzhou 310030 China

Tel: 86-571-86888309, 86-571-86888307

Web: www.visiondatum.com

Email: market@visiondatum.com

